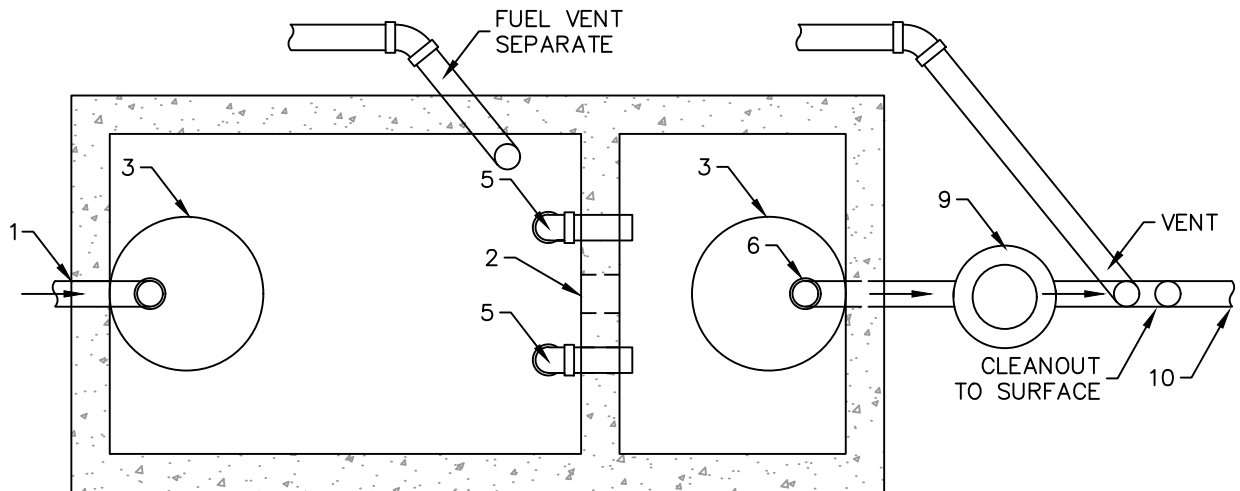


SECTION VIEW



PLAN VIEW

NOTES:

1. INFLUENT LINE
2. 6" DIAMETER VENT SLEEVE
3. MINIMUM 24" OPENING, BOLTED LID WITH GASKET
4. PRIMARY CHAMBER INLET PIPING (MUST EXTEND TO 50% OF THE OPERATING LEVEL)
5. PRIMARY CHAMBER OUTLET PIPING (MUST EXTEND TO 33% OF THE OPERATING LEVEL)
6. SECONDARY CHAMBER OUTLET PIPING (MUST EXTEND TO 50% OF THE OPERATING LEVEL)
7. SAND & OIL INTERCEPTOR DISCHARGE LINE
8. SAMPLE PORT (MINIMUM 10" DIAMETER, PROVIDE A 6" VERTICAL DROP - SEE 5-70)
9. SAMPLE PORT RING AND LID
10. SAMPLE PORT DISCHARGE LINE TO CITY'S SANITARY SEWER
11. PRIMARY CHAMBER (2/3 TOTAL VOLUME). CHAMBER SHALL BE VENTED SEPARATELY
12. SECONDARY CHAMBER (1/3 TOTAL VOLUME)
13. BAFFLE
14. OPERATING LEVEL
15. PIPE SUPPORT

FOR MORE INFORMATION, CONTACT THE INDUSTRIAL
PRETREATMENT COORDINATOR'S OFFICE AT 406-727-8390

TYPICAL EXTERIOR SAND & OIL INTERCEPTOR