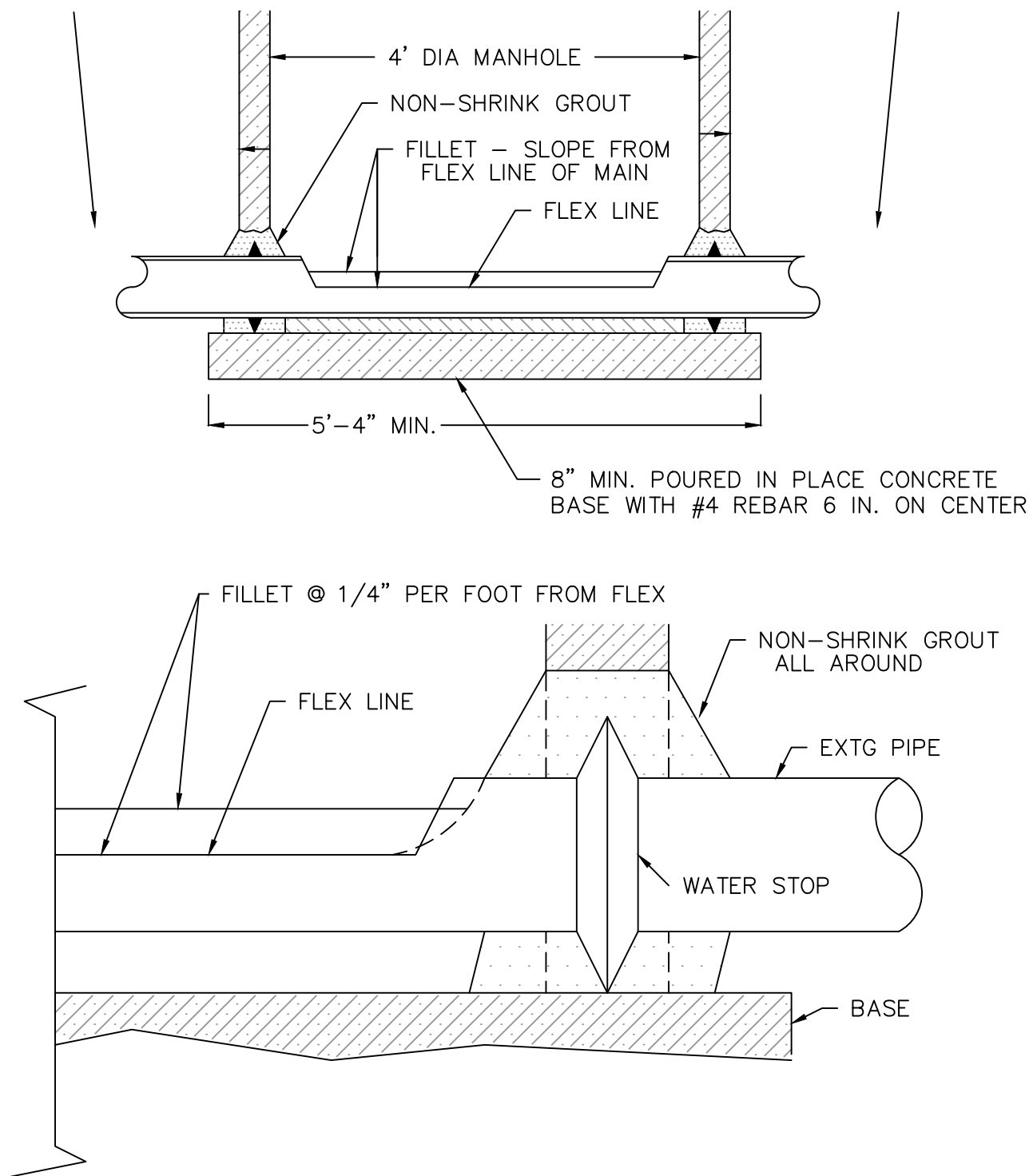


NOTE: REDRAWN TO PRESCRIBE PIPE STOPPING AT ENTRANCE AND EXIT



1. REMOVE UPPER 1/2 OF PIPE IN MANHOLE, CLEAN CUT EDGES.
2. SHAPE FILLET IN MANHOLE @ SLOPE OF 1/4" PER FOOT FROM PIPE FLEX TO MANHOLE PERIMETER.

MANHOLE CONNECTION - OVER EXISTING PIPE