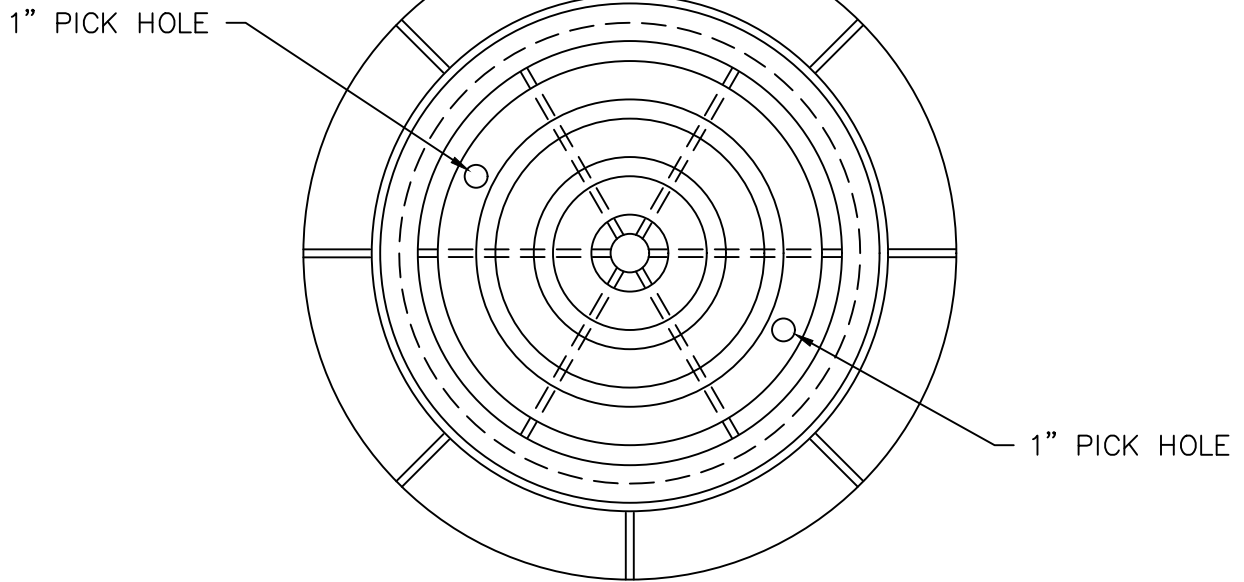
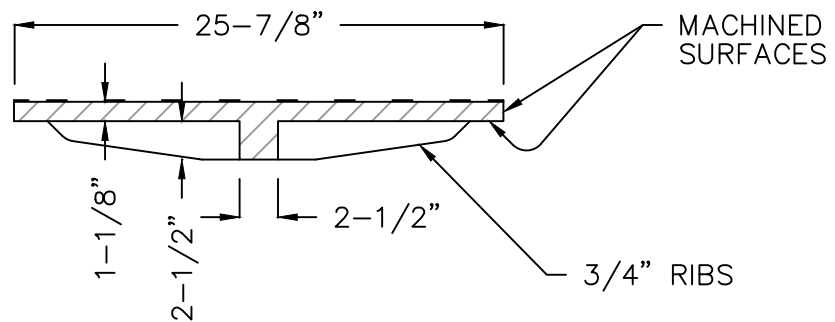


Foundry No.: A-1175 or approved equal

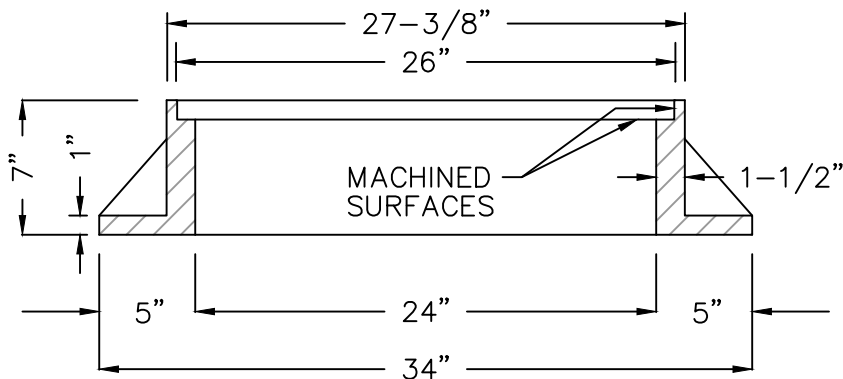
WEIGHT OF RING = 280#
WEIGHT OF COVER = 170#



MANHOLE RING & COVER PLAN



MANHOLE COVER SECTION



MANHOLE RING (FRAME) SECTION

SANITARY SEWER MANHOLE RING & COVER