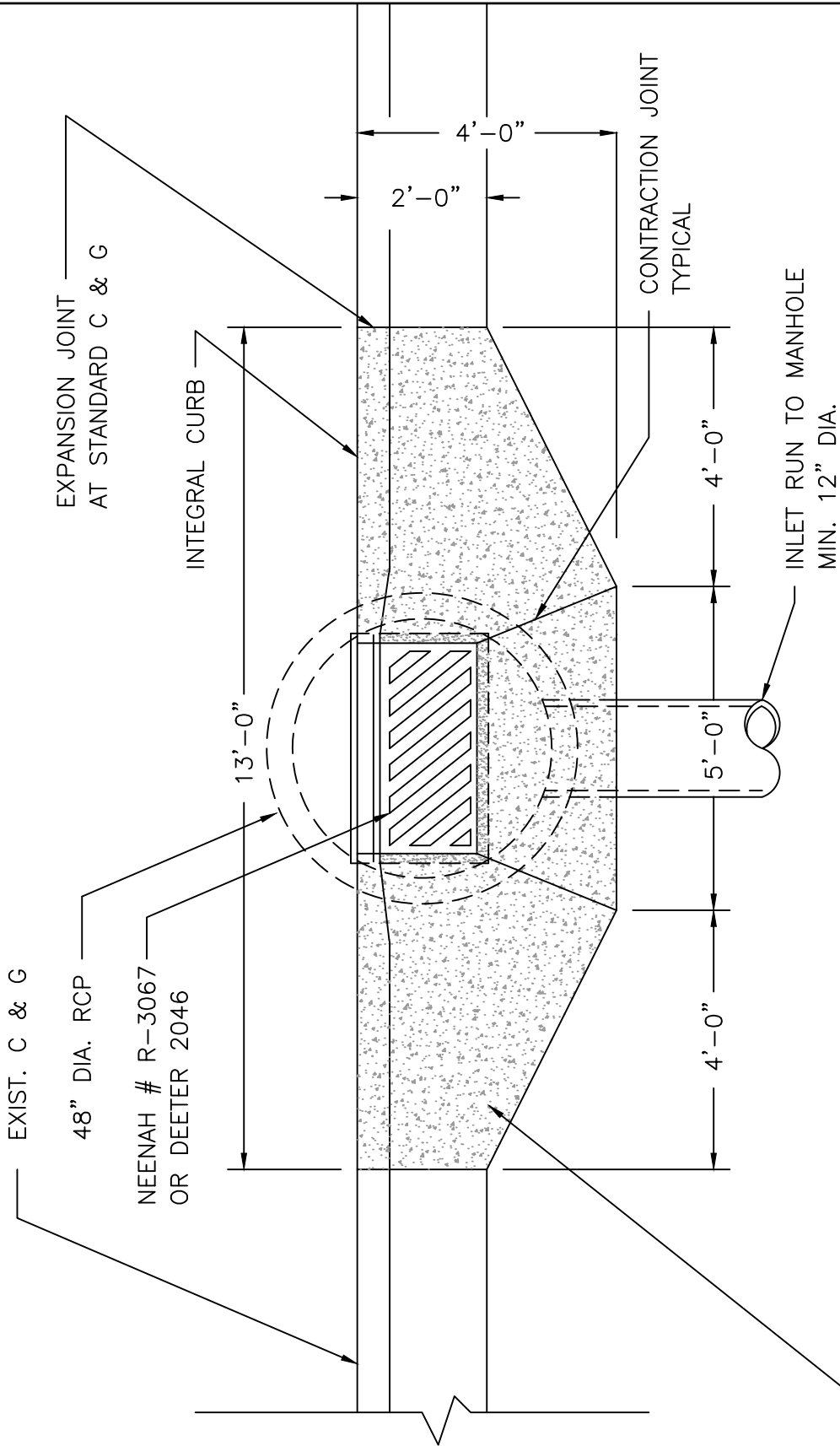


NOTE: PREVIOUS SECTION CALLOUTS REMOVED  
 NOTE: CONCRETE APRON REMOVED



EXIST. C & G  
 48" DIA. RCP  
 NEENAH # R-3067  
 OR DEETER 2046  
 13'-0"  
 INTEGRAL CURB  
 EXPANSION JOINT  
 AT STANDARD C & G  
 2'-0"  
 4'-0"  
 CONTRACTION JOINT  
 TYPICAL  
 4'-0"  
 5'-0"  
 INLET RUN TO MANHOLE  
 MIN. 12" DIA.  
 CONCRETE INLET APRON  
 # 4 BAR, 12" O.C. WITH NON-METAL CHAIRS  
 BOTH WAYS CONCRETE SHALL BE 4,000 psi  
 6" THICK W/ 8" COMPACTED BASE COURSE

NOTE: INSTALL NEENAH R-3000-D ENVIRONMENTAL NOTICE PLATE OR APPROVED EQUAL READING "NO DUMPING, DRAINS TO WATERWAY"

**TYPE I STORM SEWER INLET APRON DETAIL**