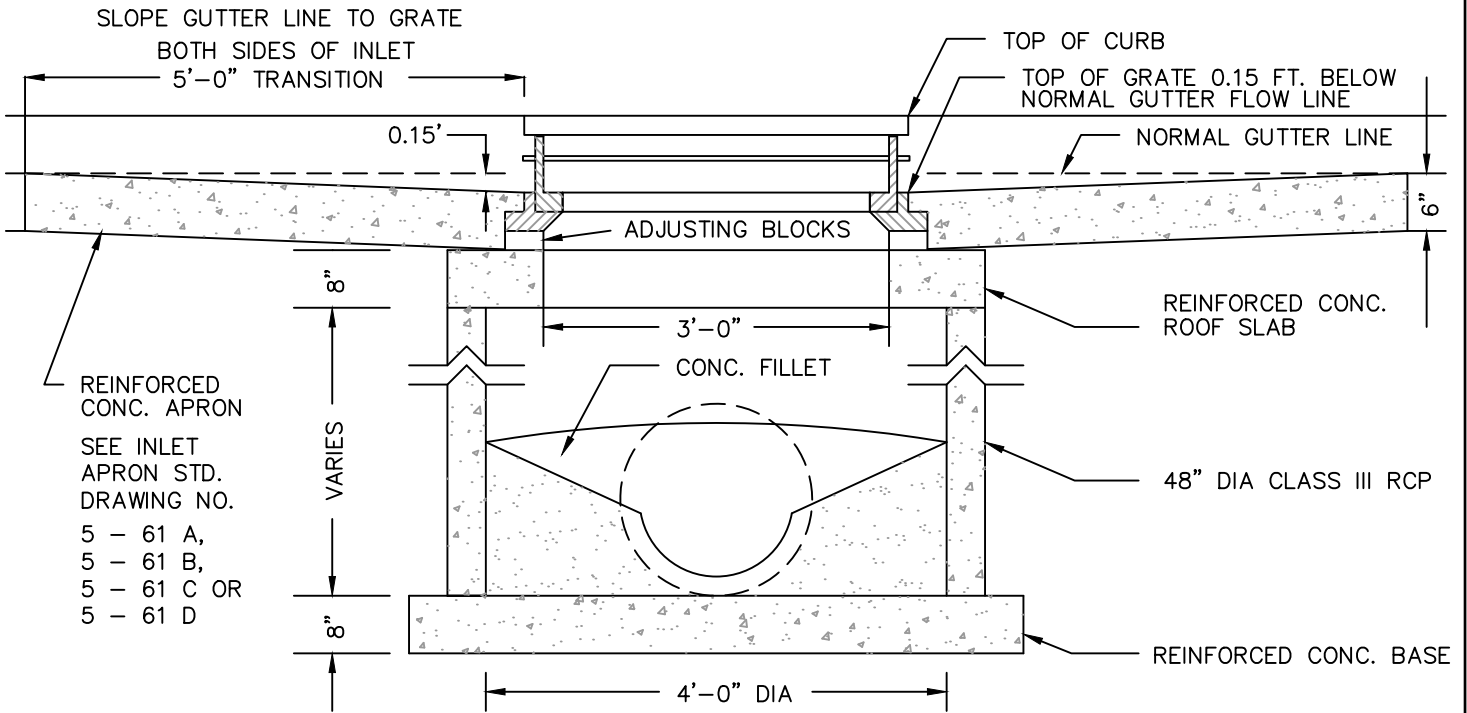
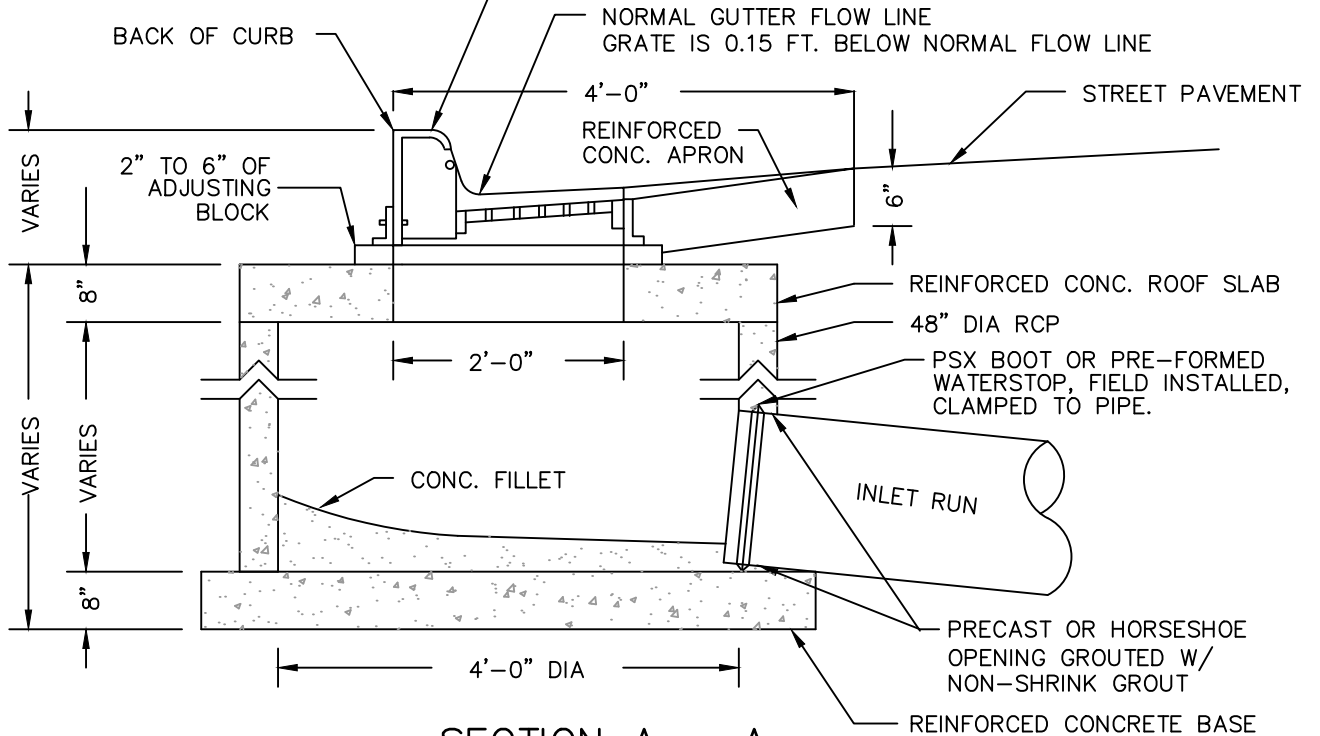


NEENAH No. R-3067 (GRATE, FRAME & HOOD)
OR DEETER No. 2046, OR EQUAL, WITH NEENAH
R-3000-D ENVIRONMENTAL NOTICE PLATE OR APPROVED EQUAL
READING "NO DUMPING, DRAINS TO WATERWAY".



NOT TO SCALE

TYPE I STORM SEWER STANDARD INLET DETAIL