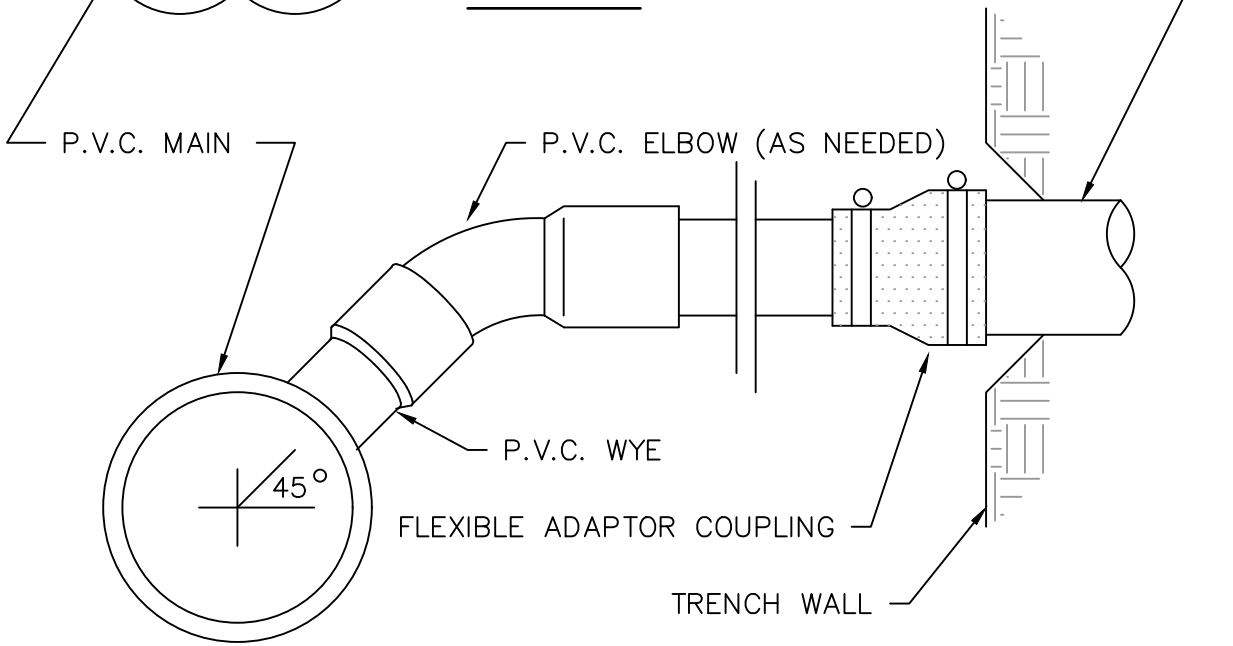


PLAN



SECTION

NOTES: PIPE SLOPE TO MATCH SEWER GRADE.
 90 DEG ELBOW(S) ARE NOT REQUIRED.
 ALL COUPLINGS SHALL BE ENCASED IN CONCRETE, INSPECTION
 OF COUPLING IS REQUIRED PRIOR TO CONCRETE ENCASEMENT

PVC LATERAL TO EXISTING SEWER SERVICE LINE