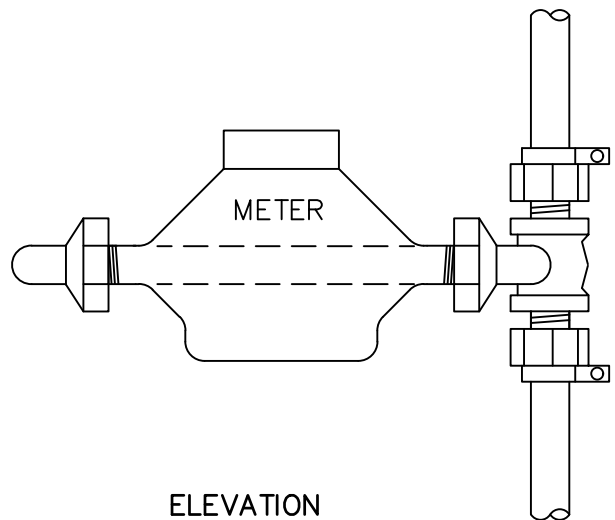


PLAN (TOP VIEW)



ELEVATION

TYPICAL WATER METER INSTALLATION