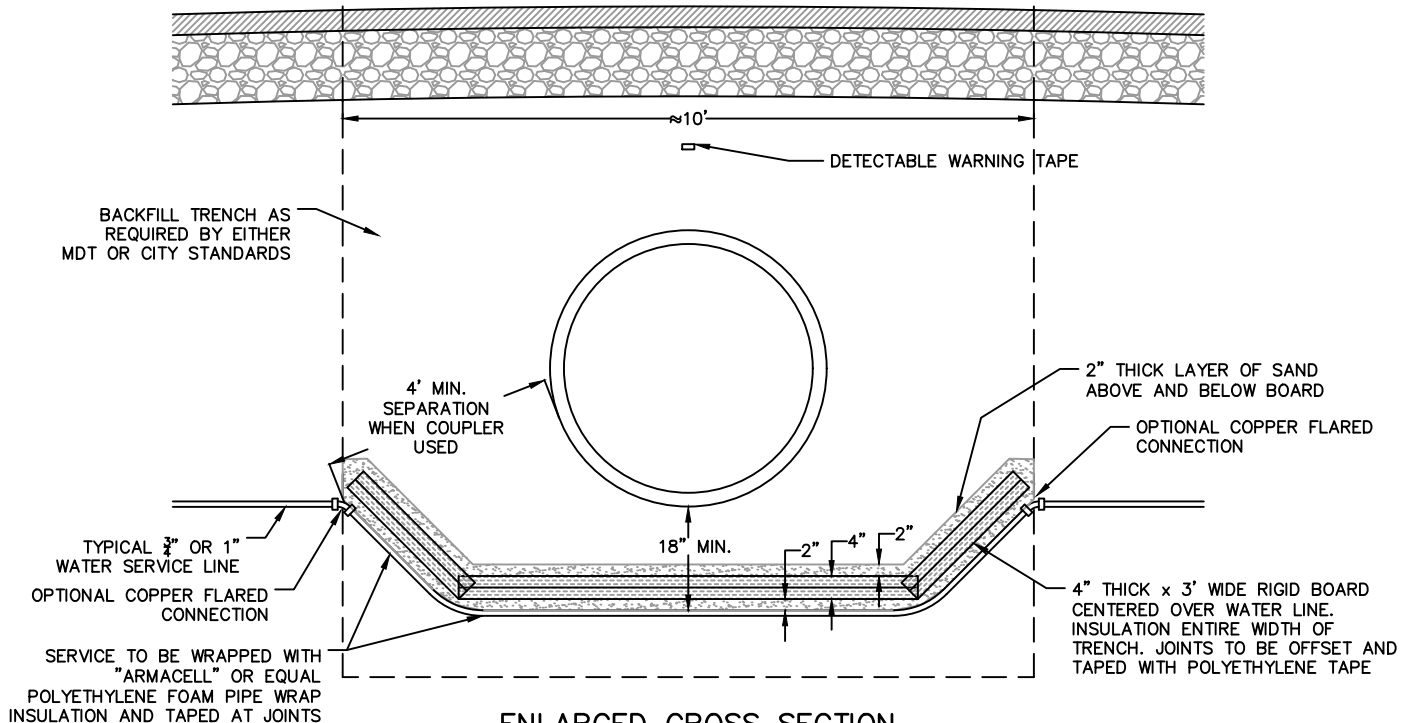
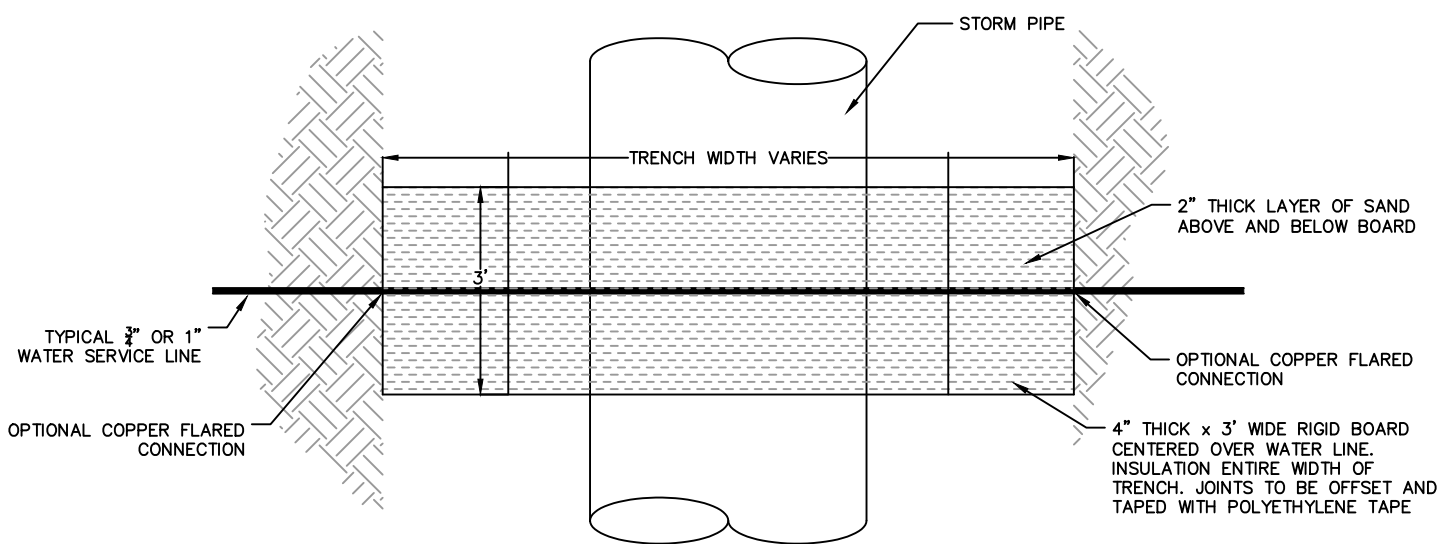


CROSS SECTION



ENLARGED CROSS SECTION



PLAN DETAIL

WATER SERVICE CROSSING BELOW STORM